

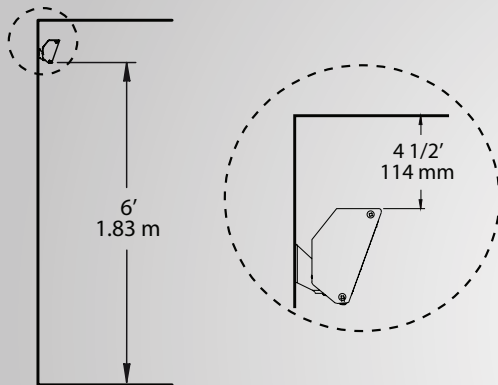
## LIKE BEING IN THE SUN BUT INDOORS

Producing enveloping heat that is also clean, cost-effective, uniform and constant.

# Radiant Cove Heater

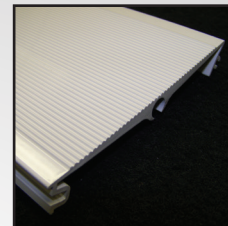
## INSTALL HIGH UP ON WALLS

Out of reach of little ones!

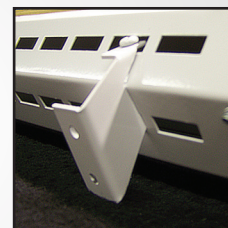


## SAVES ON ENERGY COST AND SILENT OPERATION

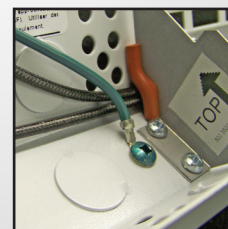
- Fits nicely into any room of the house and perfect for daycare, nursery and even restaurant.
- Generating an enveloping warmth like that of the sun's rays, heating people and objects instead of surrounding air.



Front made of an aluminum extrusion profiled to increase radiating surface.



Wall installation brackets included, that doesn't require opening the unit's casing.



4 in. (102 mm) ground wires on both ends for a quick connection.



## Radiant Cove Heater

**FIND  
THE RIGHT  
WATTAGE**

Area  
=  
Width x Length



Warmer climate?  
Newer home?  
↓  
Choose next lowest wattage

Lots of windows?  
Exact square footage not listed?  
↓  
Choose next highest wattage

Watts	Heats an area of about <sup>1</sup>		Product length	
	sq. ft.	sq. m	in.	mm
390	39	3.62	34	864
600	60	5.57	47	1194
750	75	6.97	59	1499
900	90	8.36	71	1803
1050	105	9.75	83	2108
1200	120	11.15	94	2388
1500	150	13.94	113	2870

It is highly recommended to use an electronic wall thermostat for greater comfort.



**Sturdy construction**



**Radiant**



**Quiet unit**



**Easy to use**



**Space-saving**